

# JX 3-210 K20 NT40



Electric - Qmax 95 m<sup>3</sup>/h - 1583 l/min (418 USgpm) - Hmax 16 m (52 ft)

Code not yet assigned



Indicative picture of the product

## Product Data

Suction port  
**Threaded - 3" ISO 228 (BSP)**

Delivery port  
**Threaded - 3" ISO 228 (BSP)**

Qmax  
**95 m<sup>3</sup>/h - 1583 l/min (418 USgpm)**

Hmax  
**16 m (52 ft)**

Solids handling  
**40 mm (1,5")**

Motor power  
**4 kW - 5,5 HP**

Motor type  
**IEC standard  
Cast iron frame**

Motor brand  
**CEMP**

Weight  
**144 kg (317 lb)**

## Close-coupled self-priming centrifugal pump with electric motor

### Characteristics

The J series self-priming centrifugal pumps are used in applications where a rapid priming capacity is required from demanding suction heights combined with the ability to transfer and manage polluted fluids, dirty and abrasives with suspended large diameter solids. The system is based on an inspectable pump casing which also acts as a water tank allowing a first quick priming without auxiliary systems, simplifying management of the system and reducing the time for maintenance. Within the physically permitted suction height limits, J pumps are a more comfortable and reliable solution than submersible pumps and vertical submersed impeller pumps. JX pumps include a thermocouple for back-sealing quench fluid temperature measurement. The pumping units in accordance with Directive 2014/34 / EU, have the following identification marking:

  II 2/2 G Ex IIB T5...T3 Gb X

### Benefits

- 1) Rapid self-priming**  
Without foot valve up to a height of 7.5 m (24.5 ft)
- 2) High resistance**  
To abrasive liquids which are turbid and sandy
- 3) Semi-open impeller**  
High thickness casting impact resistant
- 4) Wear plate**  
Easily replaceable stainless steel wear plate, front to the impeller
- 5) Easy maintenance**  
Removable front cover for direct access to the impeller

### Applications

**Industry:**  
clean, dirty, sandy, muddy, neutral, alkaline, acidic liquids; low viscous petroleum products, solvents even if dirty; milk of lime, caustic soda; washing, cooling, recirculation, smoke scrubbing.

**Treatment:**  
pumping polluted corrosive wastewater containing sand, mud or solids in suspension; dosing neutralizing liquids; pumping out settled sludge.

**Naval:**  
loading and unloading; bilge pumping; washing, fire-fighting, stripping, sanitary duty and circulation.

**Agriculture:**  
surface irrigation; liquid manure oxygenation; transfer and spraying liquid manure or fertilizers; distribution of liquid animal feed; transfer of wine must; washing.

Varisco S.r.l. has certified its Quality, Environment and Safety Management System in accordance with the requirements of the international standard ISO 9001-14001-45001, recognized by the Lloyd Register.

# JX 3-210 K20 NT40



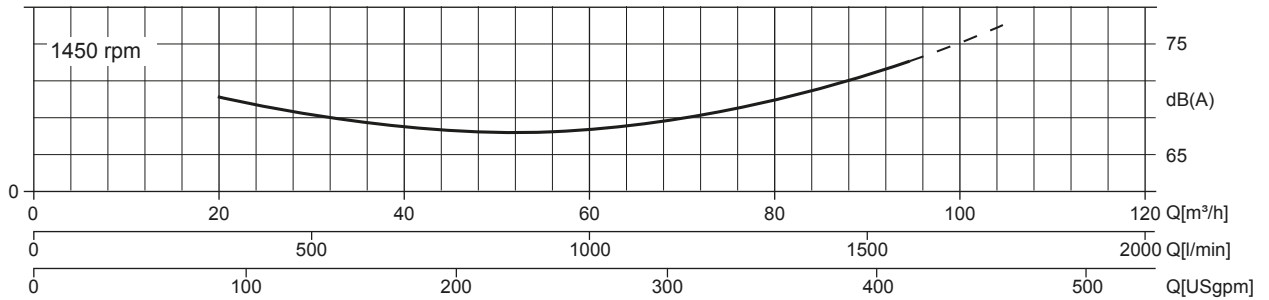
## PERFORMANCE CURVES

Test according to **UNI EN ISO 9906 standard - level 2B**  
 Test liquid: **clean water, density 1.000 kg/m<sup>3</sup>**  
 Spherical solids handling: **D.40 mm (1,5")**

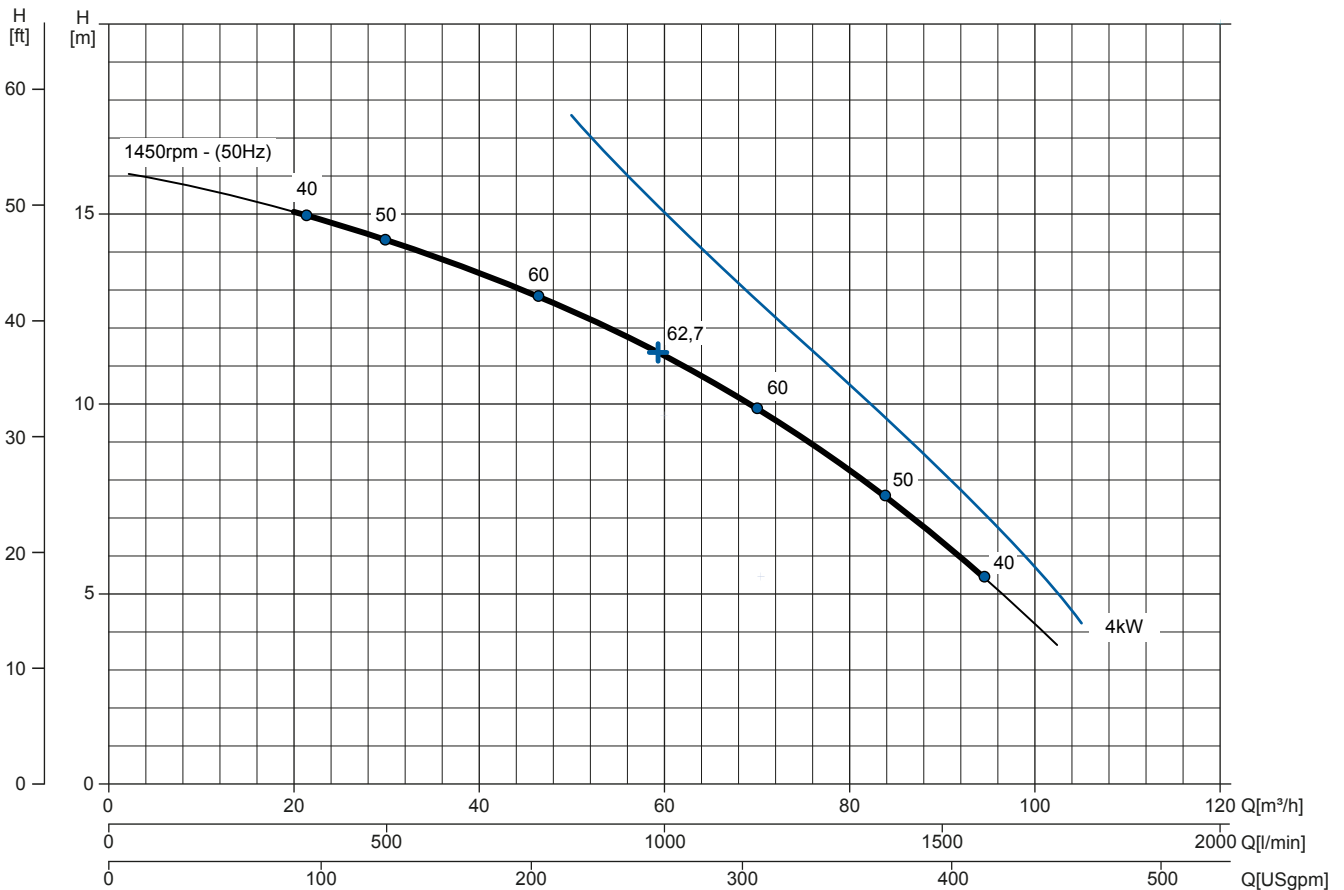
Priming time (1,450 rpm): **26s from 1,5 m (5 ft)**  
 Installed power: **4 kW - 5,5 HP (1450 rpm)**

### Noise Curve

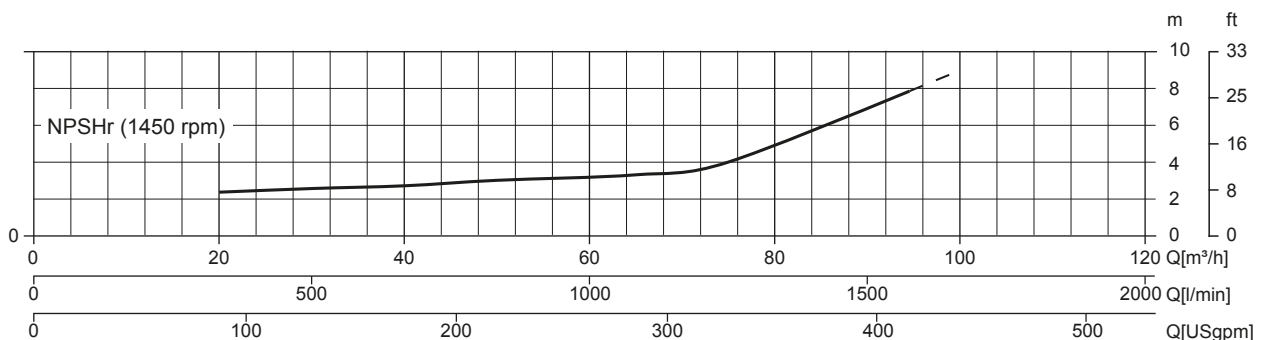
dB(A)=max noise level at 1 m



### Multiple Speed Curve



### NPSHr Curve



# JX 3-210 K20 NT40



## TECHNICAL DATA

### Pump

Pump model	J3-210
Qmax [1,450 rpm]	95 m <sup>3</sup> /h - 1583 l/min (418 USgpm)
Hmax [1,450 rpm]	16 m (52 ft)
Suction port	Threaded - 3" ISO 228 (BSP)
Delivery port	Threaded - 3" ISO 228 (BSP)
Impeller type	Semi-open, 3 vanes
Solids handling	40 mm (1,5")
Casing	ASTM A351 CF3M stainless steel
Impeller	ASTM A351 CF3M stainless steel
Wear plate	AISI 316L stainless steel
Non-return valve	Check-valve, PTFE
Shaft	SAF 2205 stainless steel
Mechanical seal	Tungsten carbide / Silicon carbide
Elastomers	PTFE
Lubrication	Liquid
Thermocouple	"J" type - Temperature range from 0° up to 300°C
Oiler	Glass - Capacity 140 cc

### Motor

Mains supply (Three-phase)	220 VD/380 VY ± 5%	230 VD/400 VY ± 5%	240 VD/415 VY ± 5%
Frequency (Nominal speed)	<b>50 Hz ± 2% / 1,450 rpm</b>		
Absorbed current	8,28 A (Y)	7,66 A (Y)	7,73 A (Y)
Starting Current Is/In	7.6	8.3	8.8
Efficiency (100%)	88,4% (IE3)	88,7% (IE3)	88,8% (IE3)
Model	CEMP		
Standards	IEC 60034-1		
Construction	Cast iron, TEFC		
Mounting arrangement	IM 2001 B35		
No. poles	4		
Rated power	4 kW - 5,5 HP		
Degree of protection	Ex-db IIB T4 Gb / IP55		
Markings	CE		
Insulation class/Temperature	F/80°K		
Duty type	Continuous - S1		
Temperature sensors	PTC, available as option		

### Arrangement

Model	Close-coupled N
Dimensions	341 x 830 x 490 mm (13 x 32 x 19")
Coating	Polyurethane enamel, average thickness of 100 µm
Color	RAL 5010 blue (standard)
Features	Close-coupled with rigid coupling "N"
Height connection	0,3 m (12")

### Optionals

Flanged ports DN80 PN16 EN1092-1 Type B	cod. 10042791
Flanged ports 3" ANSI B16.1 Class 125 R.F.	cod. 10042827

### Weight

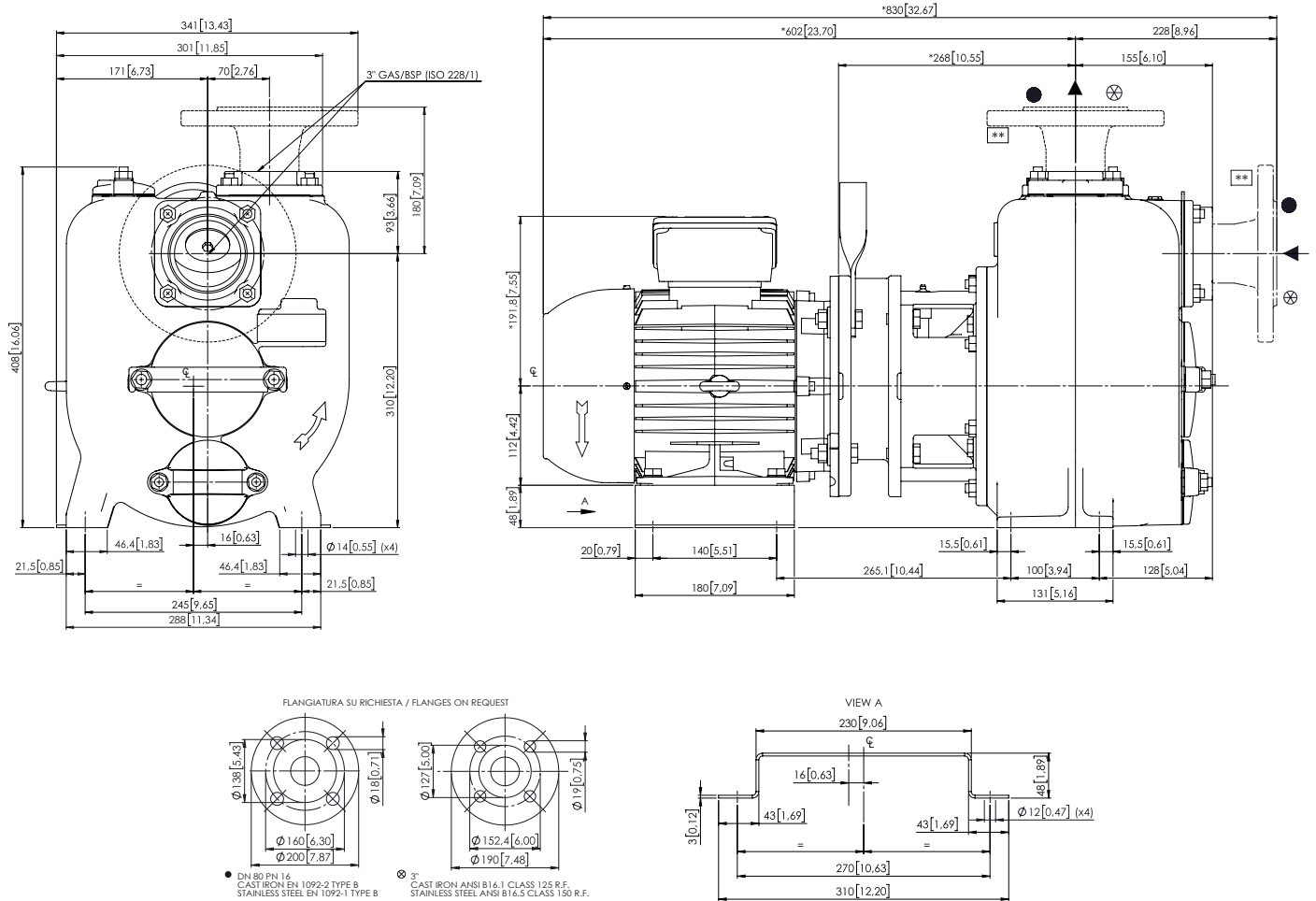
Net weight	144 kg (317 lb)
------------	-----------------

# JX 3-210 K20 NT40



## DIMENSIONS

mm [in]



## PACKAGING DIMENSIONS

### Dimensions

JX 3-210 K20 NT40 (L x W x H mm)

720 x 270 x 480 + BOX

Gross weight (pump + packing)

154 kg (339 lb) Kg

